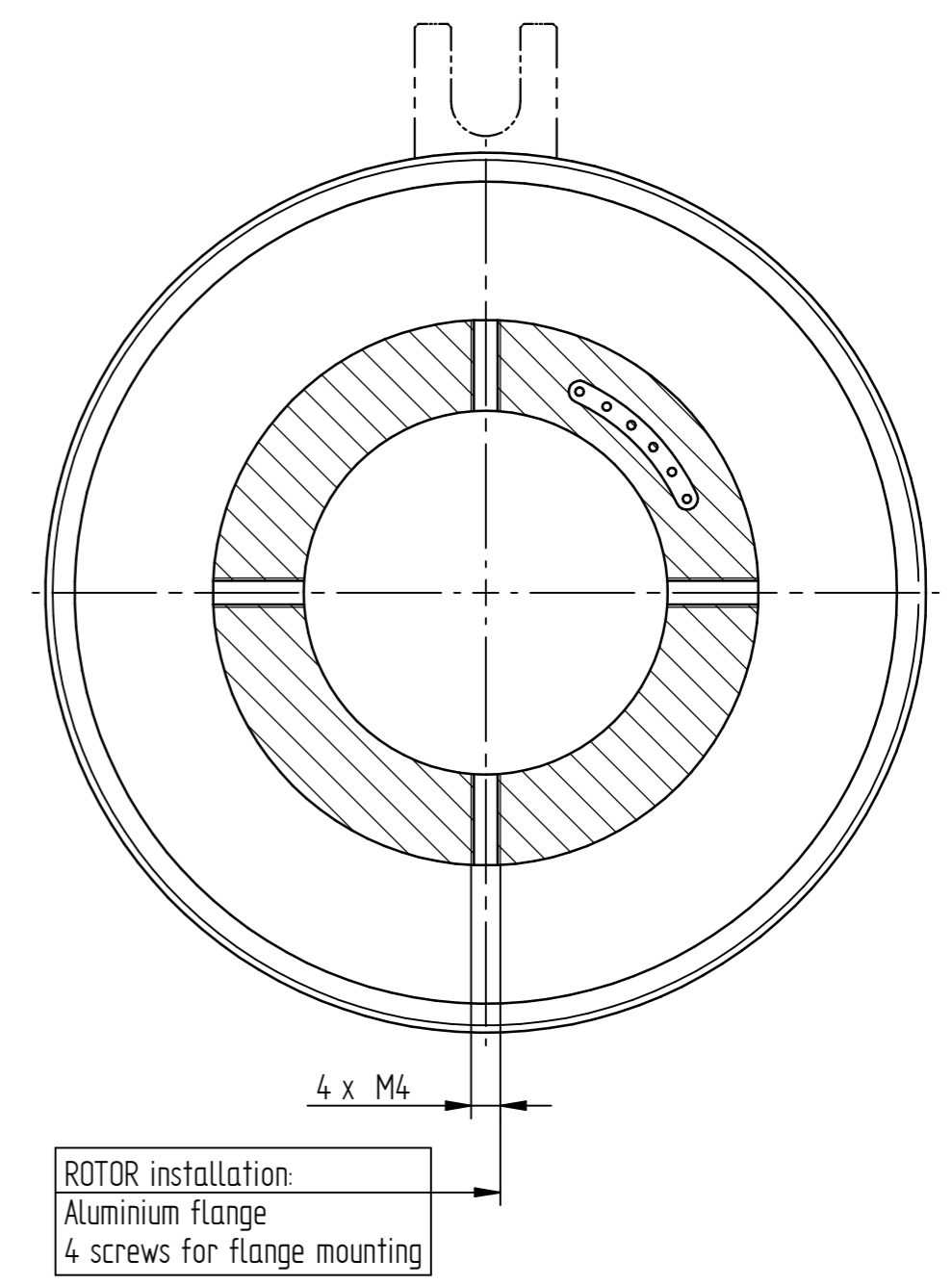
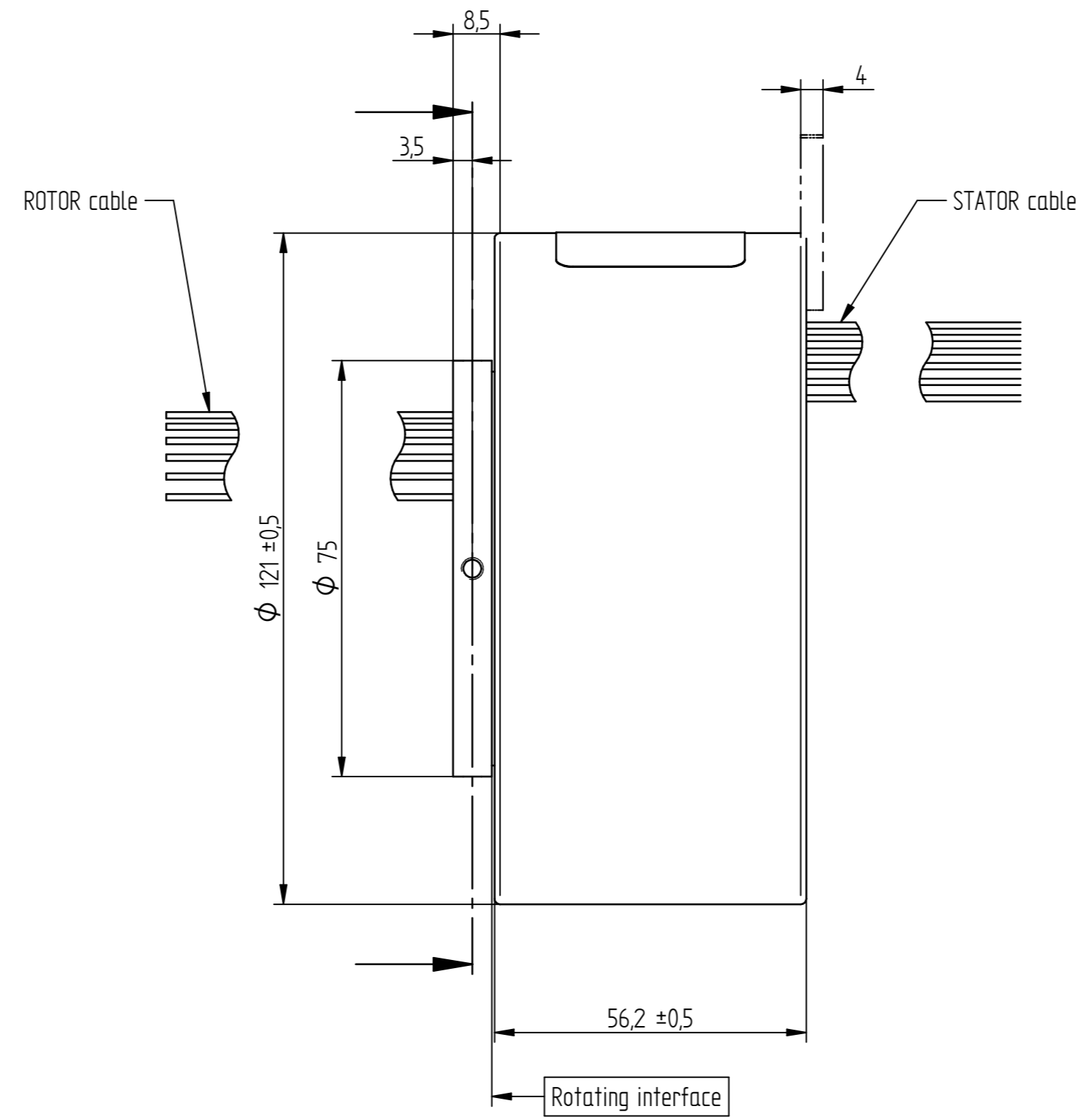


STATOR installation:
Anti-rotation tab to be mounted optionally, see manual
Anti-rotation tab is enclosed in the packaging



ROTOR installation:
Aluminium flange
4 screws for flange mounting

Wiring diagram see sheet 2

Die Montageanleitung 7BC000000 wird elektronisch bereitgestellt.
The assembly instruction 7BC000000 is provided in electronic format.

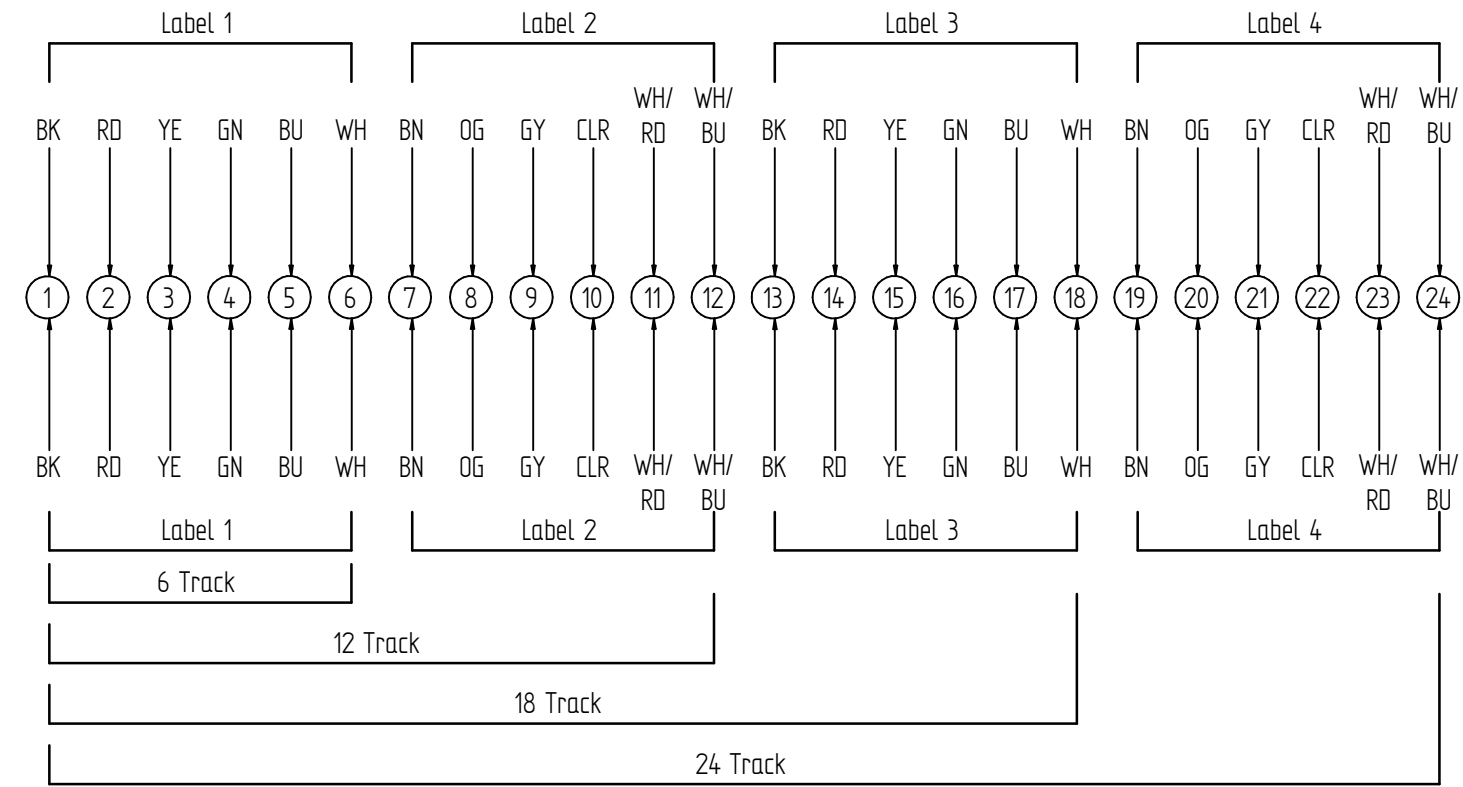
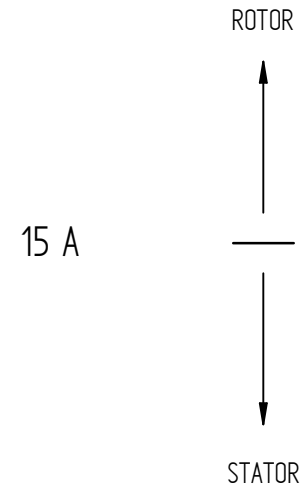
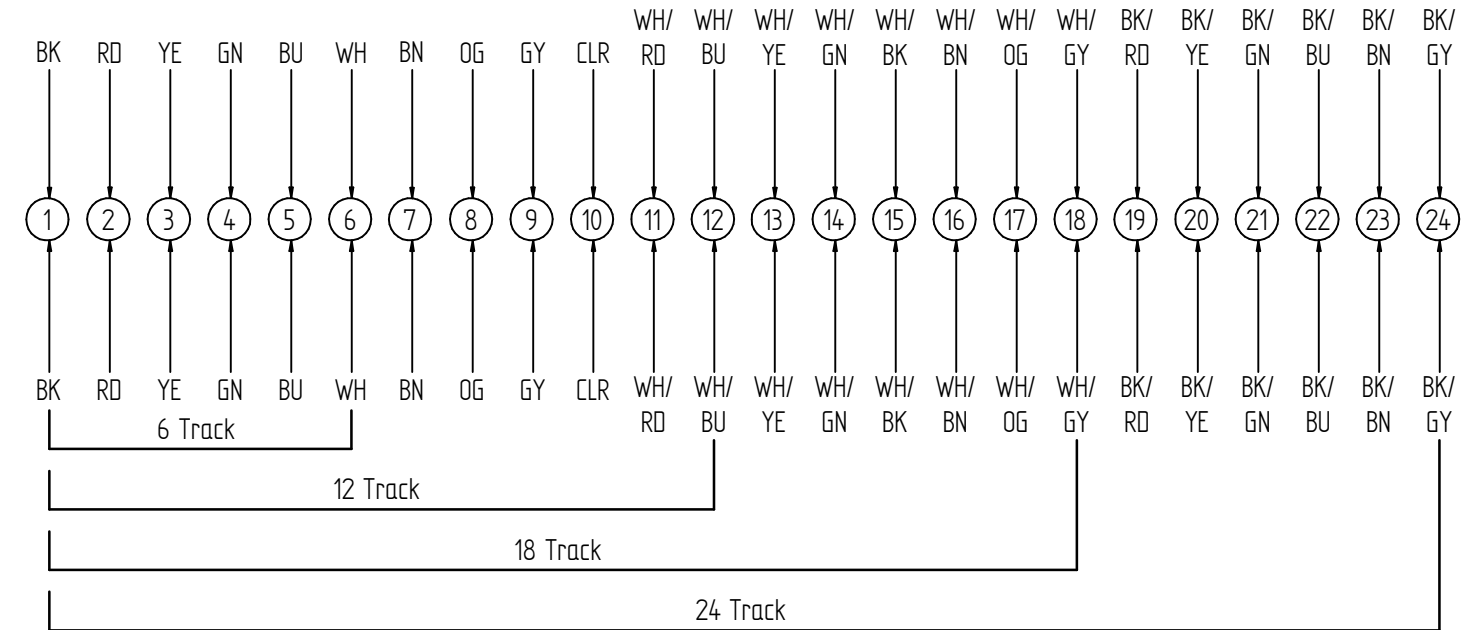
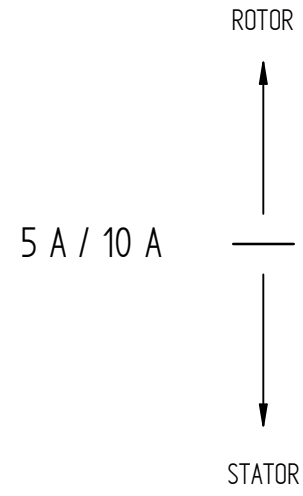
ELECTRONIC & ELECTRIC		MECHANICAL	
Rating Voltage	250 V AC / DC or 400 V AC	Working Speed	300 rpm max.
Current	10 A	Inner Diameter	Ø 50,0
		Contact Material	Precious Metals
Track	6	Lead Wire Length	STATOR: 250 mm ROTOR: 250 mm
Insulation Resistance	500 MΩ @ 500 V DC		
ENVIRONMENT		REMARKS	
Working Temperature	-20 °C to +60 °C	Application	see Manual
Working Humidity	≤ 60 % RH	Other	/
Protection Class	IP50	Note:	/

10	1	70C000030	Maverick Schleifring 6-Weg 10A		
Pos.	Anz.	Mat.Nr.	Kurztext	GroÙe/Abmessung	Werkstoff
1	2	3	4	5	6
DIN ISO 5456-2	TOLERANCES	DIN ISO 13715	FINISH	SCALE	REFERENCE 2
	ISO 2768 - mH	+0,3 +0,1	-0,1 -0,3	1:1	WEIGHT 0,001 kg
STANDARDS	DWG NO	REVISION	FIRST RELEASE	14.01.2022	
ISO 8015 ISO 14405	77C000030	A1	DESIGNER	CREITER	21.11.2022
SCHLEIFRING			APPROVED	AGREPPMAYR	21.11.2022
Beschreibung			CHANGE NO	200120151	
Maverick Schleifring 6-Weg 10A			DESCRIPTION	Maverick Slip Ring 6-Track 10A	
SIZE/DIM			DOCUMENT TYPE	Kundenzeichnung	
Draft: 1000955468/D02/000/02			Modell: 1000955468/D00/000/02	SHEET 1/2	

All drawings are the property of Schleifring GmbH Germany and are to be treated as confidential. The reproduction, distribution and utilization as well as the communication of its contents to others without express authorization is prohibited. Offenders will be held liable for the payment of damages. All rights reserved in the event of the grant of a patent utility model or design.

All drawings are the property of Schleifring GmbH/ Germany and are to be treated as confidential. The reproduction, distribution and utilization as well as the communication of its contents to others without express authorization is prohibited. Offenders will be held liable for the payment of damages. All rights reserved in the event of the grant of a patent, utility model or design.

Cable Table	
Current	Cable
5 A / Signal	AWG17
10 A	
15 A	AWG14



DIN ISO 5456-2 	TOLERANCES ISO 2768 - mH	DIN ISO 13715 	FINISH	SCALE 1:1	REFERENCE 2
		$+0,3$ $+0,1$	$-0,1$ $-0,3$	MATERIAL	WEIGHT 0,001 kg
STANDARDS ISO 8015 ISO 14405		DWG NO 7KLC000030		REVISION A1	FIRST RELEASE 14.01.2022
		Beschreibung Maverick Schleifring 6-Weg 10A		DESIGNER CREITER	21.11.2022
		DESCRIPTION Maverick Slip Ring 6-Track 10A		APPROVED AGREPPMAYR	21.11.2022
		SIZE/DIM.		CHANGE NO 200120151	
				DOCUMENT TYPE Kundenzeichnung	SHEET 2/2